

— GEAR CHANGE ASSEMBLY —
— SELECTOR ASSEMBLY —

Fig. 1 PLAN VIEW

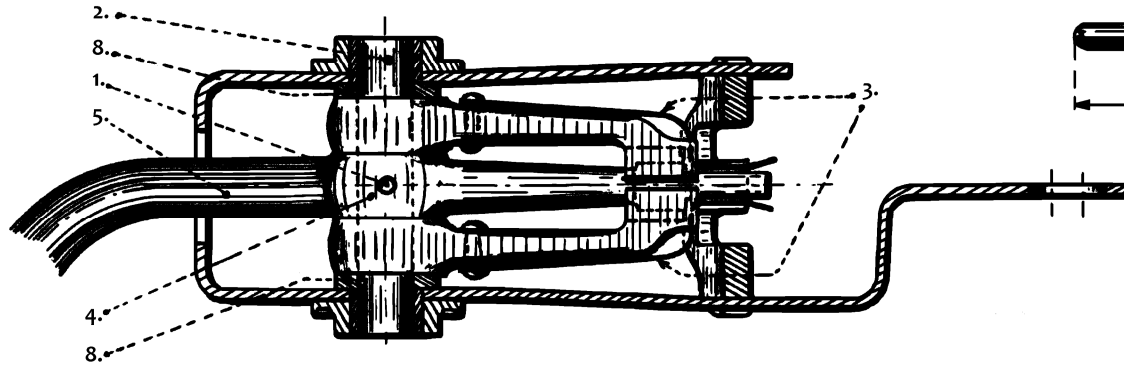


Fig. 2. SIDE VIEW.

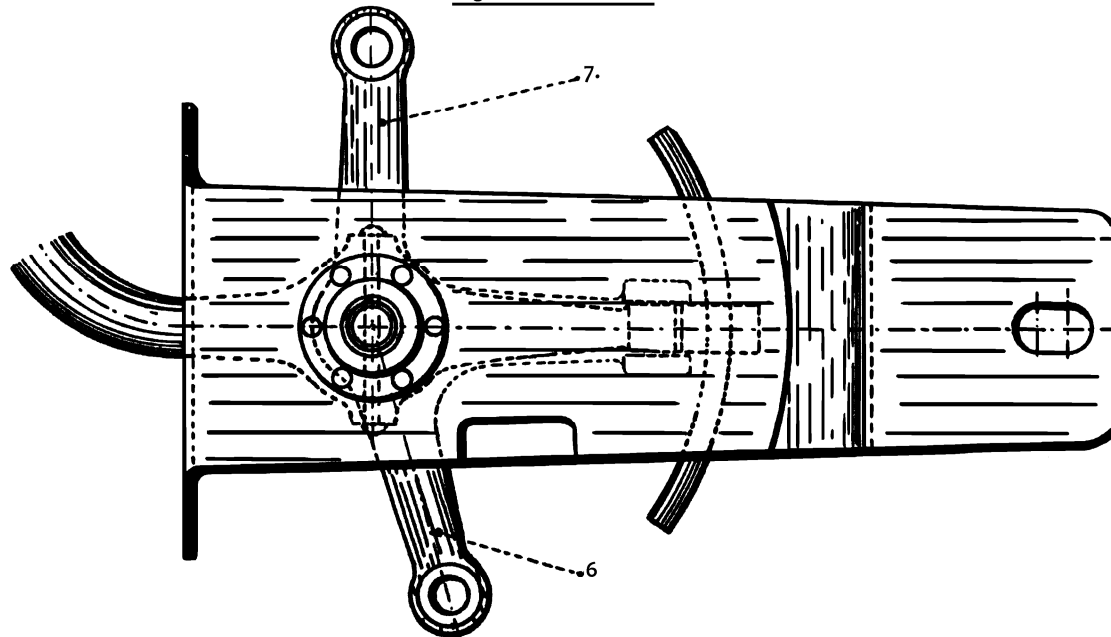


Fig. 3 - SPANNER 2430-T

